

# CT 419-5 ТОКОВЫЙ ТРАНСФОРМАТОР ДЛЯ ТЕСТОВ ПО МЭК 61000-4-19



- Current transformer designed for IEC / EN 61000-4-19
- Frequency range 2 kHz to 150 kHz
- 4 mm banana sockets
- 100 mΩ shunt

Стандарт МЭК 61000-4-19 определяет устойчивость к дифференциальному току в частотном диапазоне 2 кГц до 150 кГц. Teseq предлагает дополнительно токовый трансформатор CT 419-5 с согласующей цепью для проведения подобных тестов с объектами испытаний. CT 419-5 полностью соответствует требованиям стандарта и обеспечивает простой и надежный метод ввода тока дифференциального режима в линии объекта испытаний.

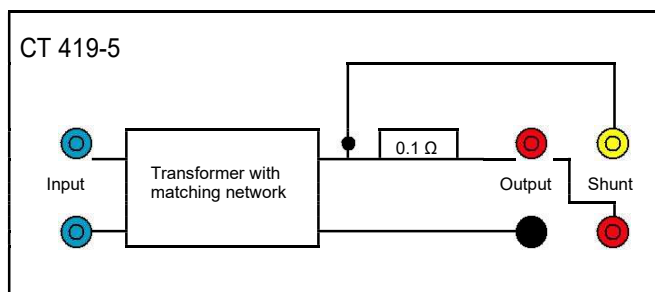
## Electrical specification

Frequency range:	2 kHz to 150 kHz
Current max:	5 A
RF voltage:	<22 V
Impedance:	1 Ω ±0.3 Ω
Shunt:	100 mΩ ±1 mΩ
Connections:	4 mm banana

## Mechanical specifications and environmental conditions

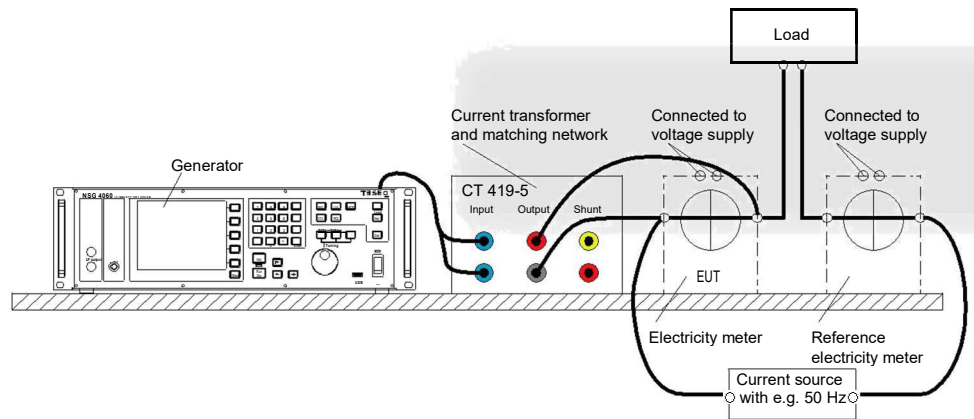
Size (W x H x D):	190 mm x 90 mm x 120 mm
Weight:	approx. 2.5 kg
Classification:	Indoor use only
Operating temperature:	+5°C to +40°C
Relative humidity:	up to 80%

## Circuit diagram



# CT 419-5 CURRENT TRANSFORMER FOR IEC / EN 61000-4-19

Application for IEC / EN 61000-4-19, frequency sweep in the frequency range 2 kHz to 150 kHz with Teseq NSG 4060 and CT 419-5



## Model No. and options

Part number	Description
255650	CT 419-5 5 Amps current transformer for DM current IEC 61000-4-19
97-255650	CT 419-TC Traceable calibration (ISO17025) for IEC 61000-4-19 requirements, order only with NSG 4060 and CT 419-5
98-255650	CT 419-DAkks DAkks accredited calibration (ISO17025) for IEC 61000-4-19 requirements, order only with NSG 4060 and CT 419-5

**Teseq GmbH**  
Landsberger Str. 255 · 12623 Berlin · Germany  
T + 49 30 56 59 88 35 F + 49 30 56 59 88 34  
info.rf.cts@ametek.com [www.teseq.com](http://www.teseq.com)

© July 2016 Teseq®  
Specifications subject to change without notice.  
Teseq® is an ISO-registered company. Its products are designed and manufactured under the strict quality and environmental requirements of the ISO 9001. This document has been carefully checked. However, Teseq® does not assume any liability for errors or inaccuracies.

82-255650 E05 July 2016